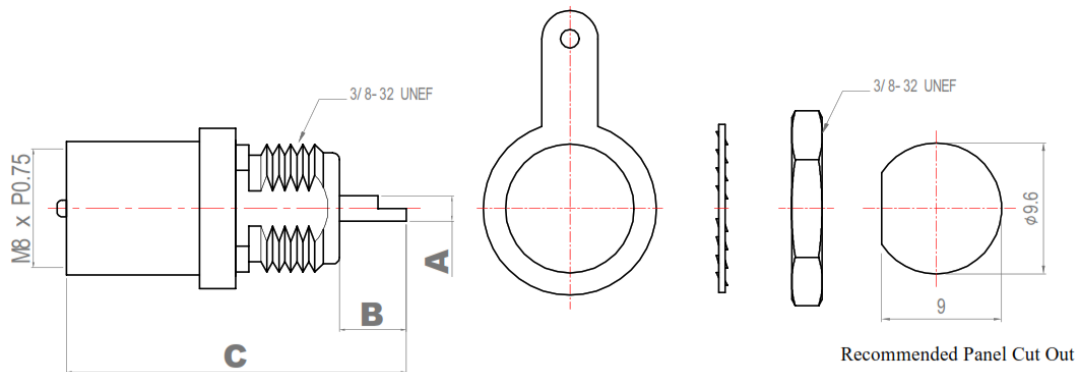




FME Bulkhead Front Mount Plug, Solder Type



Frequency:

Frequency range: 50 ohm: 0~ 2 GHz

VSWR: 1.5 Max. under 1GHz

Insertion Loss (dB): 0.177 under 1GHz

PN
index

Type	Dimensions		
	A	B	C
0 N0	1.9	5.0	25.5
1 W0	1.9	5.15	20.1

Mechanical:

Mating : M8 x 0.75 Threaded Coupling

Recommended Mating Torque : 0.6 lbs ~ 2.5 lbs

Coupling Nut Retention Force : \geq 101.2 lbs




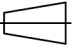
Notes:

1- The overall contour may be slightly changed per terminating with different cable and we reserve right to change it without notice.

2- Any changes for interface dimensions are strictly prohibited.

3- The Material and plating are in various options per customer's request.

4- A complete information for connectors is available upon request.

Tolerances	Scale	Abbr.	Rev.	Part Number	F211-137X PN index above	 
.X ±0.2 .XX ±0.1 .XXX ±0.05	NTS	ST	B			
PAGE 1 of 1	All Dimensions in mm (Unless Otherwise Specified)			Date	2021/08/16	