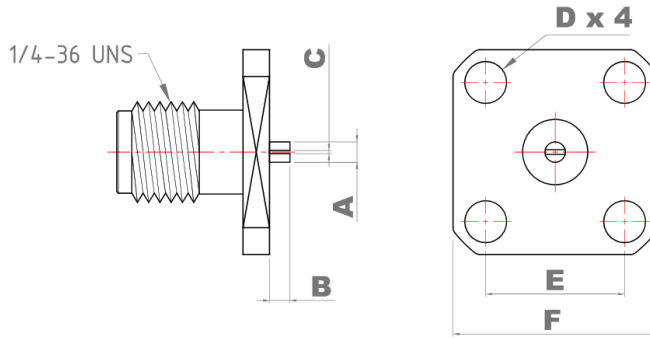




# SMA Panel Mount, 4-Hole Jack, Receptacle (R-Contact w/Slot, Epoxy)



## Frequency:

Frequency range: 0~12.4 GHz  
 VSWR: 1.5 Max. under 6GHz  
 Insertion Loss (dB): 0.177 under 6GHz

## Electrical:

Impedance: 50 ohm  
 Voltage Rating:  $\geq 500$  V rms (Depending on cable)  
 Insulator Resistance :  $\geq 5$  G $\Omega$   
 Dielectric Withstanding Voltage : 1000 V rms  
 Contact Resistance : Center Contact  $\leq 3$  m $\Omega$   
 Outer Contact  $\leq 2.5$  m $\Omega$

## Mechanical:

Mating : 1/4-46 UNS Screw-on Coupling  
 Recommended Mating Torque : 7.1~9.7lbs  
 Coupling Nut Retention Force :  $\geq 60.7$  lbs

## Environmental:

Temperature Range : -65°C to 165°C  
 Corrosion (Salt Spray) : MIL-STD-202, Method 101, Cond.B  
 Thermal Shock : MIL-STD-202, Method 107, Cond.B  
 Mechanical : MIL-STD-202, Method 213, Cond.I  
 Vibration : MIL-STD-202, Method 204, Cond.D

PN index	Type	Dimensions					
		A	B	C	D	E	F
0	H1 (4 Peens)	1.27	1.15	0.5	2.6	8.64	12.7
1	H2 (Epoxy)	1.27	1.27	0.2	2.6	8.64	12.7
2	L0	1.27	1.30	0.4	2.6	8.64	12.7



## Notes:

- 1- The overall contour may be slightly changed per terminating with different cable and we reserve right to change it without notice.
- 2- Any changes for interface dimensions are strictly prohibited.
- 3- The Material and plating are in various options per customer's request.
- 4- A complete information for connectors is available upon request.

Tolerances .X $\pm 0.2$ .XX $\pm 0.1$ .XXX $\pm 0.05$	Scale	Abbr.	Rev.	<b>Part Number</b> <b>F112-117X</b> <small>.....</small> <b>PN index above</b>	
	NTS	ST	B		
PAGE <b>1 of 1</b>	All Dimensions in mm (Unless Otherwise Specified)			<b>Date</b> 2021/08/09	