



APPLICATIONS and Usage	Product FEATURES
<ul style="list-style-type: none"> <li>• Test Equipment</li> <li>• Radar &amp; Electronic Warfare</li> <li>• Communication systems</li> </ul>	<ul style="list-style-type: none"> <li>• Small Structure, Low Cost, Drop-In Type</li> <li>• Wideband Frequency Range, High Reliability</li> <li>• Field Removable SMA(F) Available</li> </ul> <p>Low Conversion Loss</p> <p>Low LO Drive Power</p>

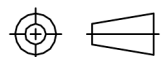
### ELECTRICAL SPECIFICATIONS @25°C:

Parameter	Min	Typical	Max	Units
<b>INPUT PARAMETERS</b>				
RF Frequency Range	0.001		2.5	GHz
RF input VSWR		2.5:1		Ratio
LO frequency Range	0.001		2.5	GHz
LO Power Range		10	13	dBm
LO VSWR		2.5:1		Ratio
<b>TRANSFER CHARACTERISTICS</b>				
Conversion Loss			9	dB
Single-sideband noise figure		9		dB
LO-to-RF isolation		25		dB
LO-to-IF isolation		20		dB
RF-to-IF isolation		20		dB
Input power at 1 dB compression		0		dBm
Input two-tone third-order intercept point		15		dBm
<b>OUTPUT PARAMETERS</b>				
output IF frequency	DC		1000	MHz
output IF VSWR		1.5:1		Ratio

All Features is customizable Based on Customer Request

Part Number:

IIRM-000125



PAGE

1 of 2

Date

2021/09/11



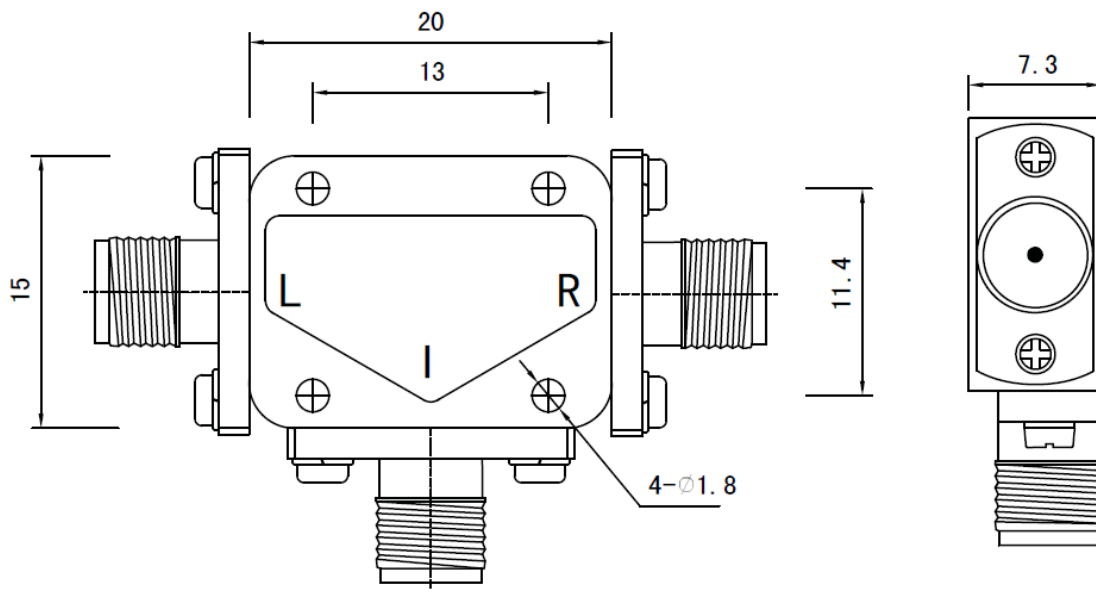
### ENVIRONMENTAL RATINGS:

Parameter	Min	Typical	Max	Units
Operating Temperature	-40		+85	°C
Non-operating Temperature	-55		+125	°C
Relative humidity (non-condensing)		95		%
Altitude (MIL-STD-810F)	10000		30000	feet
Shock / Vibration (MIL-STD-810F)		Air bone		

### MECHANICAL SPECIFICATIONS:

Parameter	Value	Limits	Units
Case type	20*15*7.3	Max	Millimeter
Weight	50	Max	gram
RF Connectors Input	SMA-F		
RF Connectors output	SMA-F		
Impedance	50		ohms

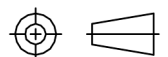
### OUTLINE DRAWING (mm):



All Features is customizable Based on Customer Request

Part Number:

IIRM-000125



PAGE

2 of 2

Date

2021/09/11

