



APPLICATIONS and Usage	Product FEATURES
<ul style="list-style-type: none"> •Microwave Radio & VSAT •Military & Space •Test Instrumentation •Fiber Optics 	<ul style="list-style-type: none"> •Wide Bandwidth •low Power Consumption •low Noise Figure •Miniature Sizes, Field Removable connector •Compact/Rugged Thin-Film Construction

ELECTRICAL SPECIFICATIONS @25°C:

Parameter	Min	Typical	Max	Units
Frequency Range	20		1000	MHz
Small Signal Gain @CW	40			dB
Small Signal Gain Flatness			2	dB
Noise Figure				dB
Output Power @CW	10			Watt
Turn On/Off Speed				us
VSWR			2:1	Ratio
DC Power Supply		+14		Volt
Current		5		A

Note: 1.Spurious Signals:@even:215dBc;@odd:212dBc. 2. Harmonics@CW:260dBc.

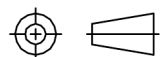
ENVIRONMENTAL RATINGS:

Parameter	Min	Typical	Max	Units
Max Input power			+8	dBm
Operating Temperature	-20		+50	°C
Non-operating Temperature	-40		+65	°C
Relative humidity (non-condensing)		95		%
Altitude (MIL-STD-810F)	10000		30000	feet
Shock / Vibration (MIL-STD-810F)		Airbone		

All Features is customizable Based on Customer Request

Part Number:

IWBA-00021



PAGE

1 of 2

Date

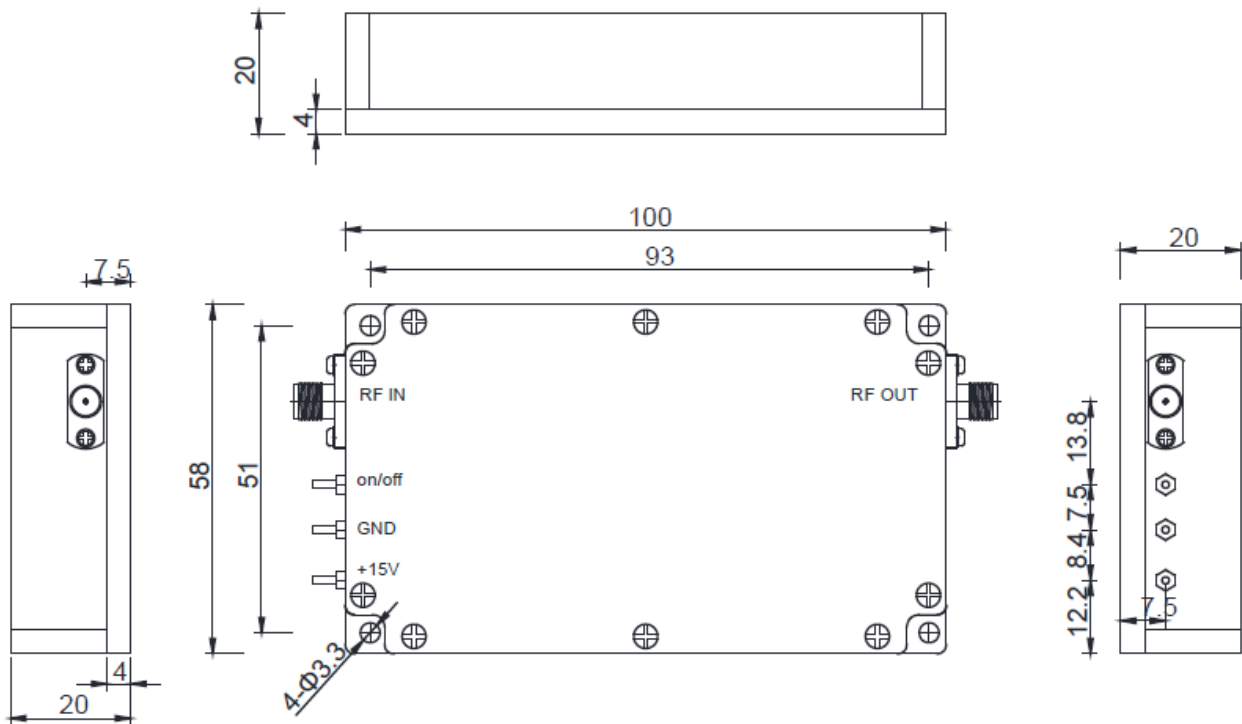
2021/09/11



MECHANICAL SPECIFICATIONS:

Parameter	Value	Limits	Units
Dimensions	100*58*20		Millimeter
Weight	0.8		kg
RF Connectors Input	SMA-F		
RF Connectors output	SMA-F		
Impedance	50		ohms

OUTLINE DRAWING (mm):

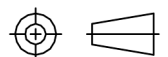


Note: Miniature size, drop-in, SMT and customized specification is also available

All Features is customizable Based on Customer Request

Part Number:

IWBA-00021



PAGE

2 of 2

Date

2021/09/11

