



| APPLICATIONS and Usage  | Product FEATURES   |
|---|--|
| <ul style="list-style-type: none"> <li>•Front End Protection for LNA's</li> <li>•Power Leveling (Limiting)</li> <li>•Receiver Protection</li> </ul> | <ul style="list-style-type: none"> <li>•Wide Bandwidth</li> <li>•Low Insertion Loss</li> <li>•Lower limiting threshold</li> <li>•Miniature Sizes for drop-In Assembly</li> <li>•Rugged/compact Thin Film Construction</li> <li>•High power handling</li> </ul> |

### ELECTRICAL SPECIFICATIONS @25°C:

| Parameter                      | Min | Typical | Max   | Units |
|--------------------------------|-----|---------|-------|-------|
| Frequency Range                | 0.5 |         | 1     | GHz   |
| insertion Loss                 |     |         | 0.5   | dB    |
| VSWR Input/output              |     |         | 1.4:1 | Ratio |
| Threshold                      |     | 17      |       | dBm   |
| Spike leakage                  |     |         | 19    | dBm   |
| input power 1% duty cycle peak |     |         | 200   | Watt  |
| Pulse Width                    |     | 1       |       | us    |
| Input power CW                 |     |         | 2     | Watt  |
| Recovery Time                  |     | 50      |       | ns    |

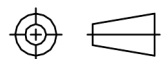
### ENVIRONMENTAL RATINGS:

| Parameter                          | Min   | Typical  | Max   | Units |
|------------------------------------|-------|----------|-------|-------|
| Operating Temperature              | -40   |          | +85   | °C    |
| Non-operating Temperature          | -55   |          | 125   | °C    |
| Relative humidity (non-condensing) |       | 95       |       | %     |
| Altitude (MIL-STD-810F)            | 10000 |          | 30000 | feet  |
| Shock / Vibration (MIL-STD-810F)   |       | Airborne |       |       |

All Features is customizable Based on Customer Request

Part Number:

IWBL-000510



PAGE

1 of 2

Date

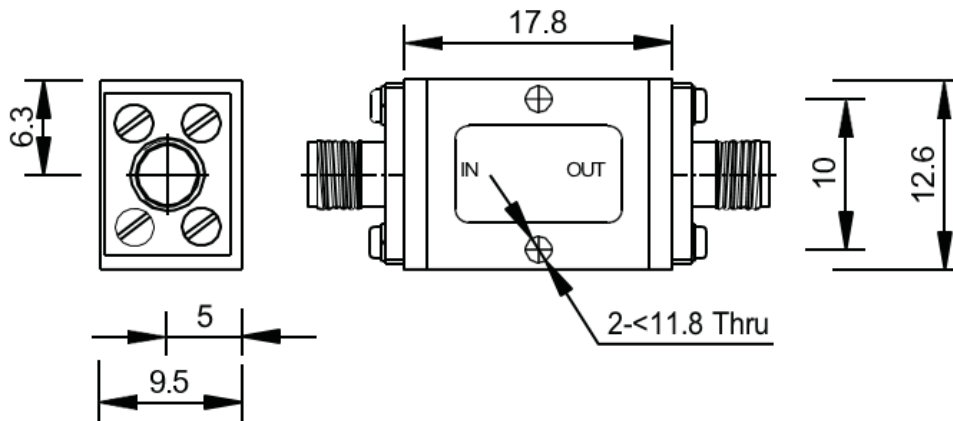
2021/09/11



## MECHANICAL SPECIFICATIONS:

| Parameter            | Value         | Limits | Units      |
|----------------------|---------------|--------|------------|
| Dimensions (L*W*H)   | 17.8*12.6*9.5 | Max    | Millimeter |
| Weight               | 50            | Max    | gram       |
| RF Connectors Input  | SMA-F         |        |            |
| RF Connectors output | SMA-F         |        |            |
| Impedance            | 50            |        | Ohms       |

## OUTLINE DRAWING (mm):



All Features is customizable Based on Customer Request

Part Number: **IWBL-000510**

