

## Electrical:

Impedance: 50 ohm

Voltage Rating:  $\geq 500$  V rms (Depending on cable)

Insulator Resistance :  $\geq 5$  G $\Omega$

Dielectric Withstanding Voltage :  $\geq 1000$  V rms

Contact Resistance : Center Contact  $\leq 3$  m $\Omega$ .

Outer Contact  $\leq 2$  m $\Omega$

ITEM	Description	Material	Finish
1	Shell	Brass	Finish 1/3
2	Body	Brass	Finish 1/3
3	Insulator	PTFE	None
4	Inner Contact	Brass	Finish 1/2

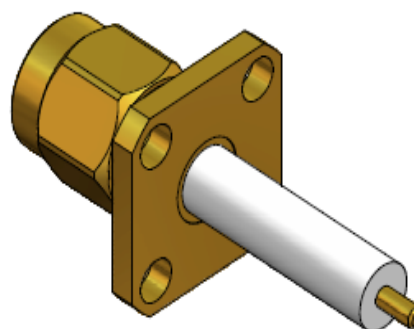
## Mechanical:

Mating : 1/4-36 UNS Screw-on Coupling

Force to Engage and Disengage Torque :  $\leq 2$  in.lbs

Coupling Proof Torque :  $\geq 15$  in.lbs

Coupling Nut Retention Force :  $\geq 60.7$  lbs



## Environmental:

Temperature Range : -65°C to 165°C

Corrosion ( Salt Spray ) : MIL-STD-202, Method 101, Cond. B

Mechanical Shock : MIL-STD-202, Method 213, Cond. I

Vibration ( HF ) : MIL-STD-202, Method 204, Cond. D

Thermal Shock : MIL-STD-202, Method 107, Cond. B

## Finish : [Unit of Plating Thickness Is in Micro Inch( $\mu$ )]

1. Nickel Plating Thk. : 100  $\mu$ " min. (Under Plating)

2. Gold Plating Thk. : 5  $\mu$ " min. (Over Finish 1)

3. Gold Plating Thk. : 1~2  $\mu$ " max. (Over Finish 1)

Tolerances	Scale	Abbr.	Rev.	Part Number	F111-11601	
.X $\pm 0.2$ .XX $\pm 0.1$ .XXX $\pm 0.05$	NTS	ST	B			
PAGE	All Dimensions in mm (Unless Otherwise Specified)			Date	2021/08/16	
1 of 1						