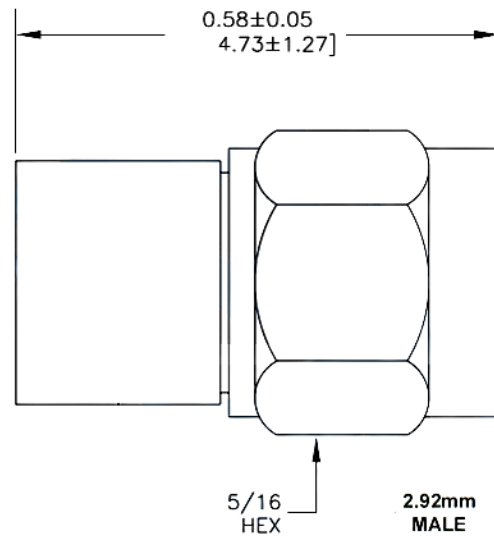


## Frequency:

Frequency range: DC ~ 40 GHz

VSWR:  $\leq 1.2$

Maximum Power: 0.5 Watt



## Electrical:

Impedance: 50 ohm

Durability:  $\geq 500$  Times

## Mechanical Specification:

Center Contact: Phosphor bronze/Gold

Mating Torque: 8 in-lbs [0.90 Nm]

Hex Size: 5/16 Inch



## Material And Plating:

Connector 1 contact: Beryllium Copper/ Gold plating

Body: Passivated Stainless Steel

Coupling Nut: Passivated Stainless Steel

Housing: Passivated Stainless Steel

## Notes:

1- The overall contour may be slightly changed per terminating with different cable and we reserve right to change it without notice.

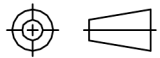
2- Any changes for interface dimensions are strictly prohibited.

3- The Material and plating are in various options per customer's request.

4- A complete information for connectors is available upon request.

## Environmental:

Temperature Range : -55°C to 125°C

<b>Tolerances</b> .X $\pm 0.2$ .XX $\pm 0.1$ .XXX $\pm 0.05$	Scale	Abbr.	Rev.	<b>Part Number</b> L251-114G	
	NTS	ST	B		
PAGE <b>1 of 1</b>	<b>All Dimensions in mm</b> (Unless Otherwise Specified)			<b>Date</b> 2022/01/10	