

Frequency:

Frequency range: DC ~ 40 GHz

VSWR: ≤ 1.25

Maximum Power: 1 Watt

Electrical:

Impedance: 50 ohm

Durability: ≥ 500 Times

Mechanical Specification:

Mating Torque: 8 in-lbs [0.90 Nm]

Hex Size: 5/16 Inch

Material And Plating:

Connector 1 contact: Beryllium Copper/ Gold plating MIL-PRF-39012

Body: Passivated Stainless Steel

Coupling Nut: Passivated Stainless Steel

Housing: Passivated Stainless Steel

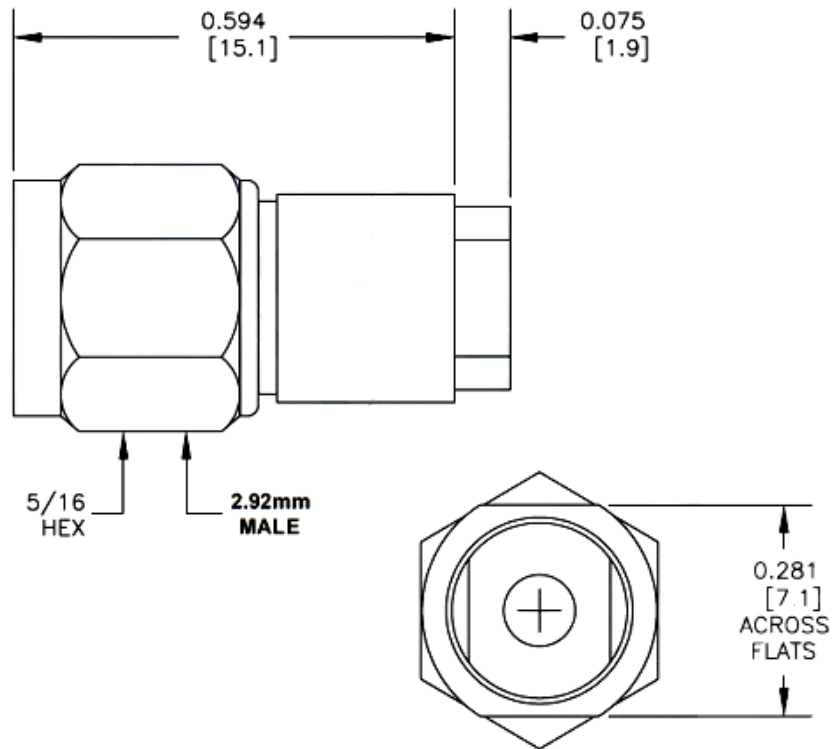
Notes:

1- The overall contour may be slightly changed per terminating with different cable and we reserve right to change it without notice.

2- Any changes for interface dimensions are strictly prohibited.


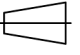

3- The Material and plating are in various options per customer's request.

4- A complete information for connectors is available upon request.



Environmental:

Temperature Range : -55°C to 125°C

Tolerances	Scale	Abbr.	Rev.	Part Number	L251-111G	 
.X ±0.2 .XX ±0.1 .XXX ±0.05	NTS	ST	B			
PAGE	All Dimensions in mm (Unless Otherwise Specified)			Date		
1 of 1				2022/01/10		