

Frequency:

Frequency range: DC ~ 40 GHz
 VSWR: ≤ 1.45
 Maximum Power: 5 Watt

Electrical:

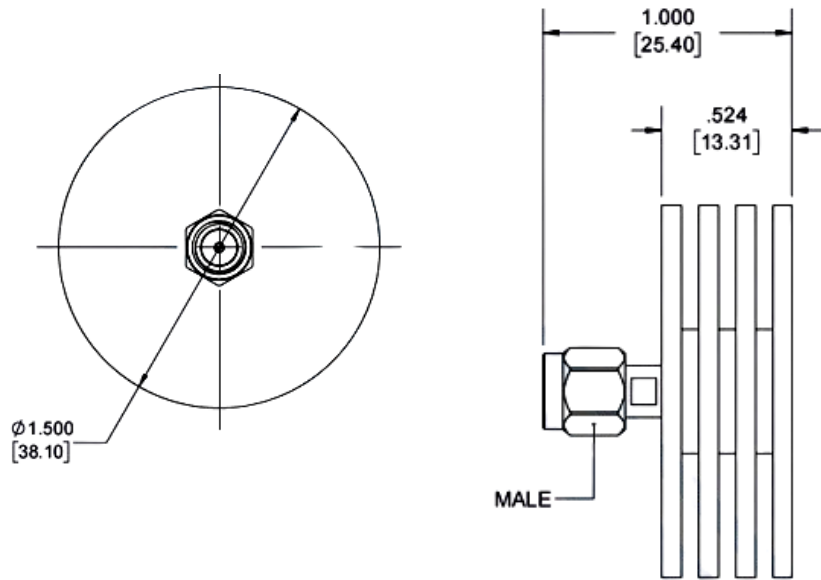
Impedance: 50 ohm
 Durability: ≥ 500 Times

Mechanical Specification:

Mating Torque: 8 in-lbs [0.90 Nm]
 Hex Size: 16-May Inch

Material And Plating:

Connector 1 contact: Beryllium Copper/ Gold plating MIL-G-45204
 Body: Passivated Stainless Steel
 Coupling Nut: Passivated Stainless Steel
 Housing: Black Anodized Aluminum Heatsink


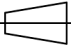



Notes:

- 1- The overall contour may be slightly changed per terminating with different cable and we reserve right to change it without notice.
- 2- Any changes for interface dimensions are strictly prohibited.
- 3- The Material and plating are in various options per customer's request.
- 4- A complete information for connectors is available upon request.

Environmental:

Temperature Range : -55°C to 125°C

Tolerances	Scale	Abbr.	Rev.	Part Number	L251-315G	 
.X ± 0.2 .XX ± 0.1 .XXX ± 0.05	NTS	ST	B			
PAGE	All Dimensions in mm (Unless Otherwise Specified)			Date		
1 of 1				2022/01/10		