

## Electrical specifications :

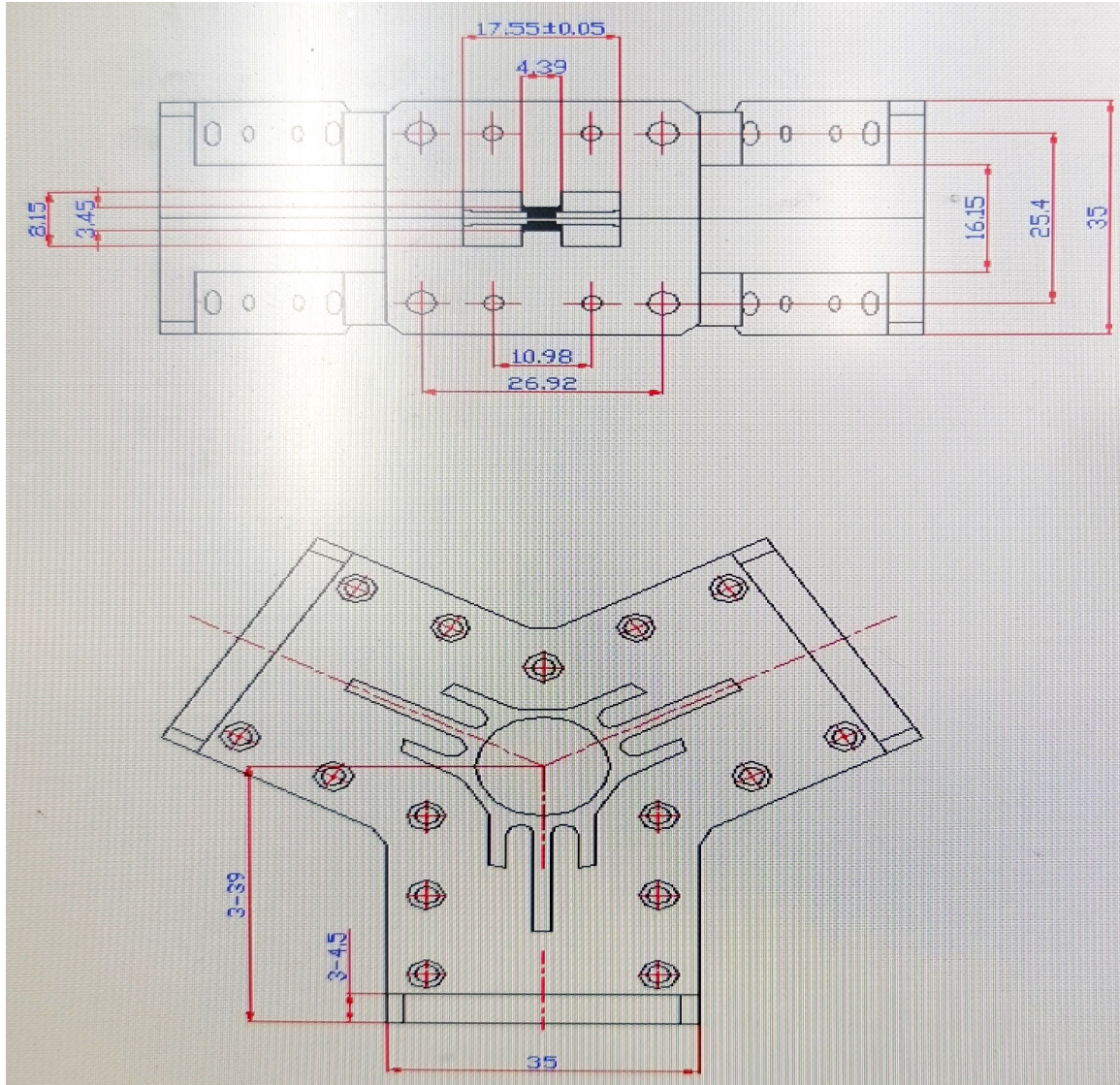
No.	Parameter	Minimum	Typical	Maximum	Units
1	Frequency range	8	-	18	GHz
2	Isolation	14	15		dB
3	Insertion Loss	-	0.5	0.6	dB
4	VSWR	-	1.4	1.5	-
5	Average Power	-	-	250	w cw
6	Peak power	2KW max			
7	Finish	Alodine			



Tolerances .X ±0.2 .XX ±0.1 .XXX ±0.05	Scale	Abbr.	Rev.	<b>Part Number:</b> IPC08G18WRD750PK	
	NTS	ST	B		
PAGE <b>1 of 3</b>	Website: <a href="http://www.iprece.com">www.iprece.com</a> Email: <a href="mailto:info@iprece.com">info@iprece.com</a>		Website: <a href="http://www.iprece.com">www.iprece.com</a> Email: <a href="mailto:info@iprece.com">info@iprece.com</a>		

## Outline Drawing:

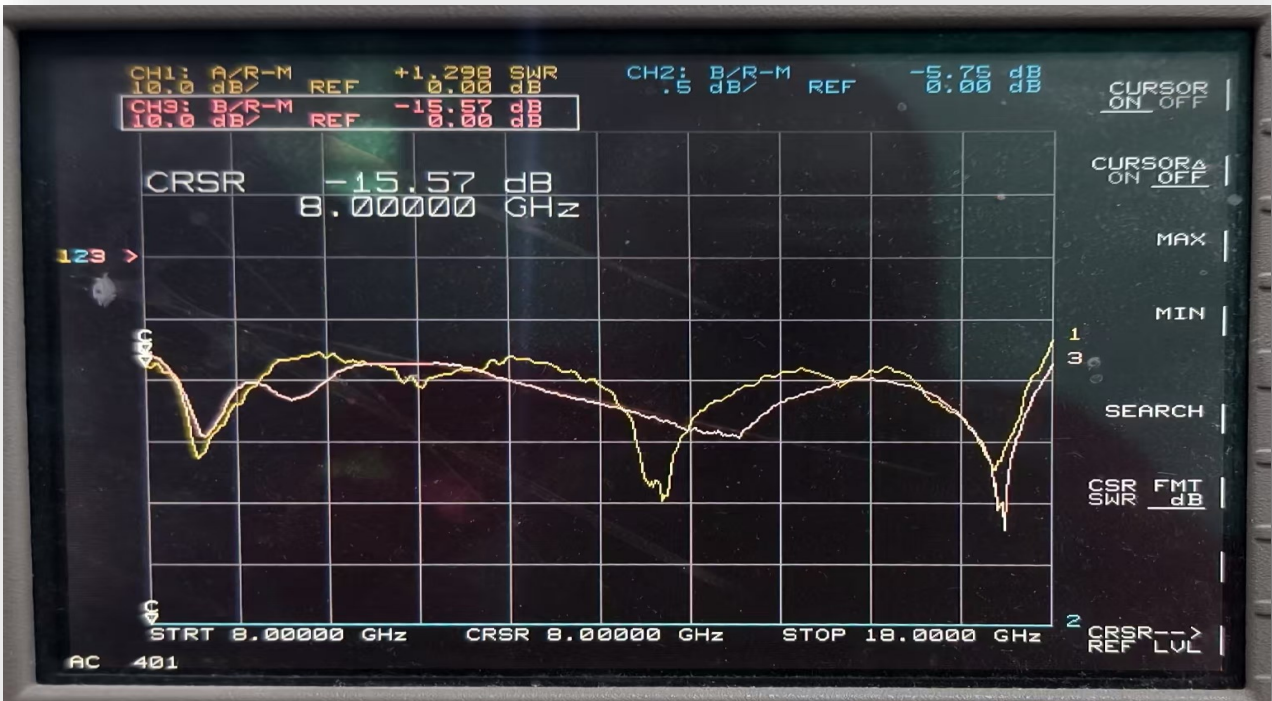
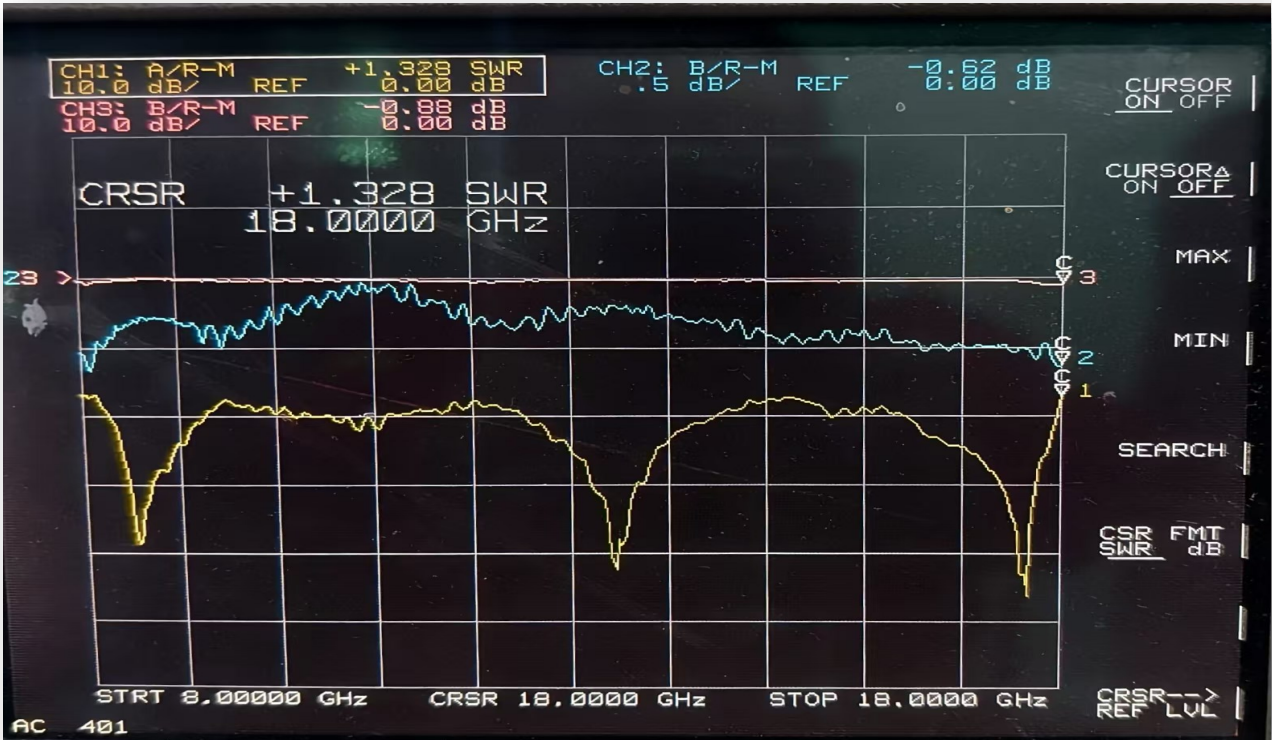
- All Dimensions in mm
- Waveguide: WRD750
- Direction: CW



<b>Tolerances</b> .X ±0.2 .XX ±0.1 .XXX ±0.05	Scale	Abbr.	Rev.	<b>Part Number:</b> IPC08G18WRD750PK	
	NTS	ST	B		
<b>PAGE</b> 2 of 3	<b>Website:</b> www.iprece.com <b>Email:</b> info@iprece.com		<b>Website:</b> www.iprece.com <b>Email:</b> info@iprece.com		



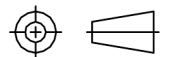
## Test Reports:



Tolerances	
.X	±0.2
.XX	±0.1
.XXX	±0.05

Scale	Abbr.	Rev.
NTS	ST	B

Part Number: IPC08G18WRD750PK



PAGE  
3 of 3

Website: [www.iprece.com](http://www.iprece.com)  
Email: [info@iprece.com](mailto:info@iprece.com)

Website: [www.iprece.com](http://www.iprece.com)  
Email: [info@iprece.com](mailto:info@iprece.com)

